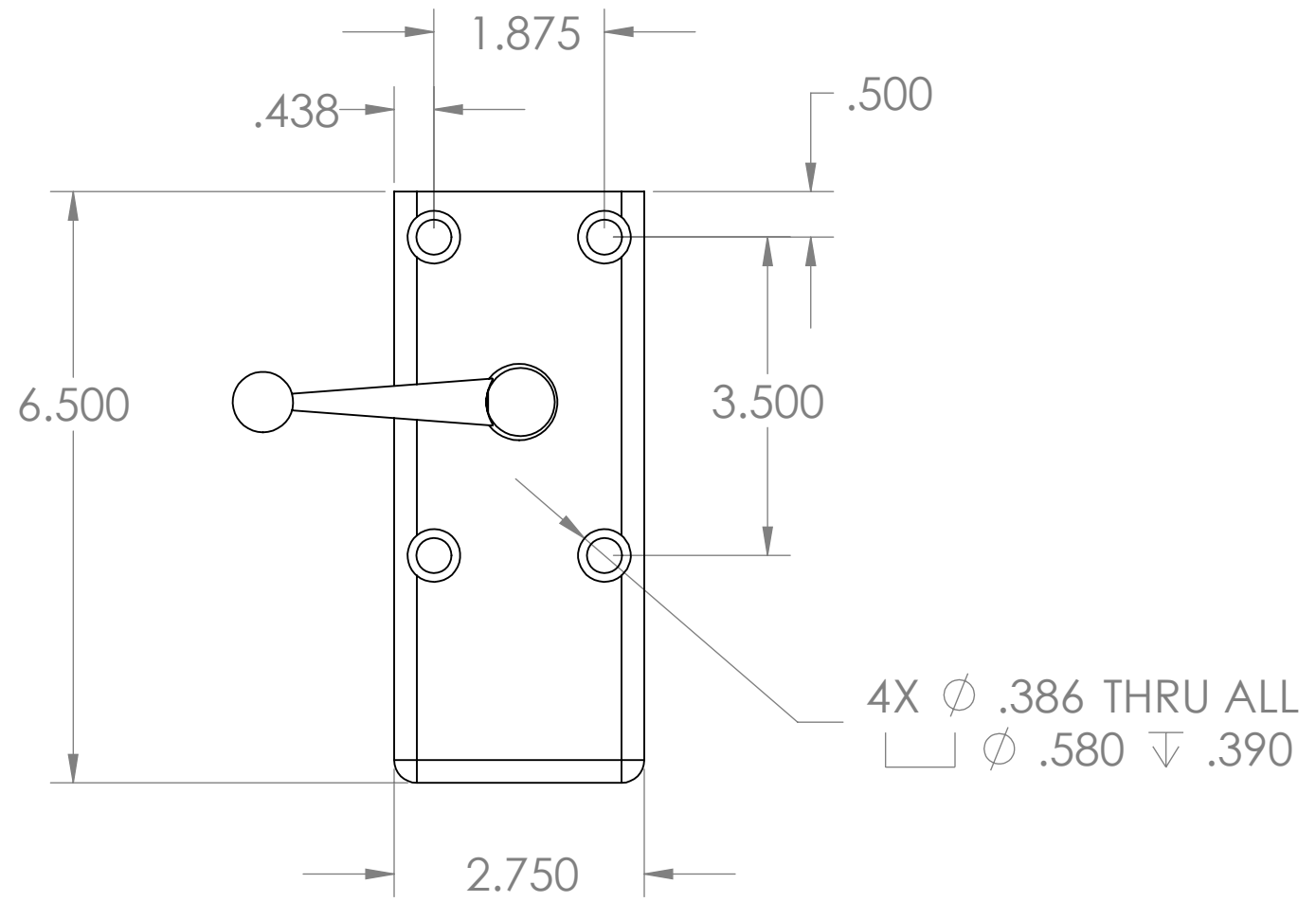
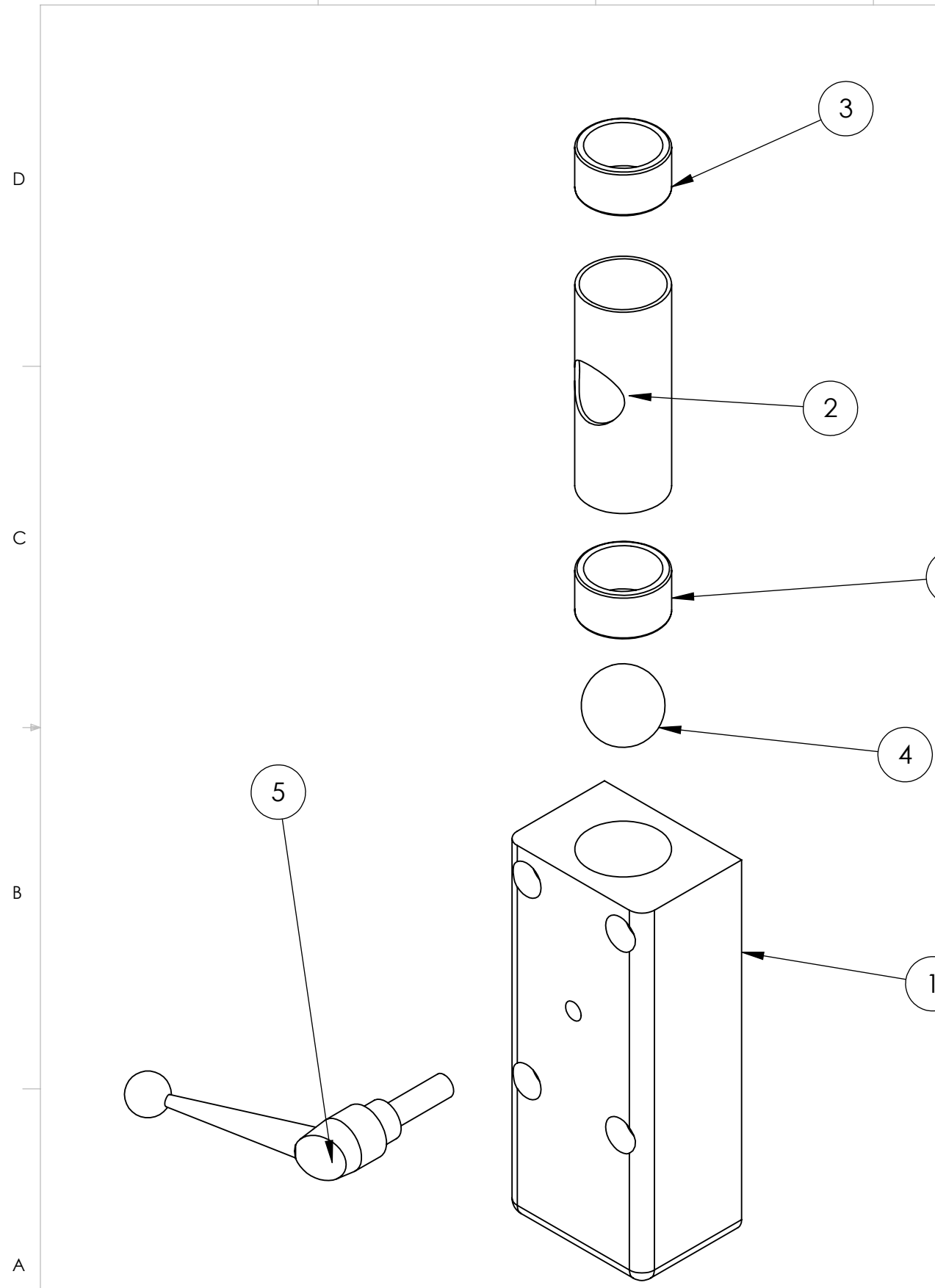


ITEM NO.	PART NUMBER	DESCRIPTION	QTY.
1	13396	SUPPORT BRACKET, BASE, DIE LIFTER	1
2	13397	SPACER, SUPPORT BRACKET, DIE LIFTER	1
3	KAMB1812	BEARING, ROLLER, TORRINGTON	2
4	9528K43	1 3/16" CHROME STEEL BALL	1
5	6271K32	CLAMP HANDLE 1.18 THREAD LENGTH	1



PROPRIETARY AND CONFIDENTIAL
 THE INFORMATION CONTAINED IN THIS DRAWING IS THE SOLE PROPERTY OF AZTECH MACHINERY INC. ANY REPRODUCTION IN PART OR AS A WHOLE WITHOUT THE WRITTEN PERMISSION OF AZTECH MACHINERY INC. IS PROHIBITED.

STOCK SIZE		UNLESS OTHERWISE SPECIFIED: TITLE: SUPPORT BRACKET, BASE, DIE LIFTER ASSEMBLY	
		DIMENSIONS ARE IN INCHES TOLERANCES: FRACTIONAL ± ANGULAR: MACH ± BEND ± TWO PLACE DECIMAL ± THREE PLACE DECIMAL ±	
		DRAWN	C.CHURCHILL 7/11/2005
		CHECKED	
		ENG APPR.	
		MFG APPR.	
		Q.A.	
		COMMENTS:	
NEXT ASSY	USED ON	SIZE	DWG. NO. 13853
APPLICATION		SCALE: 1:2	WEIGHT:
		DO NOT SCALE DRAWING	
		REV	AA
		SHEET 1 OF 1	