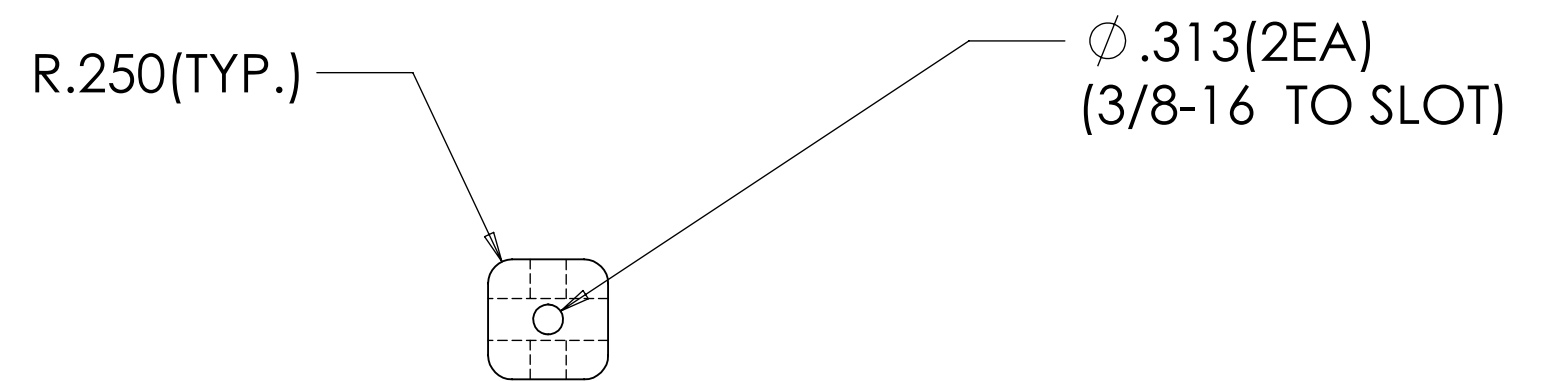
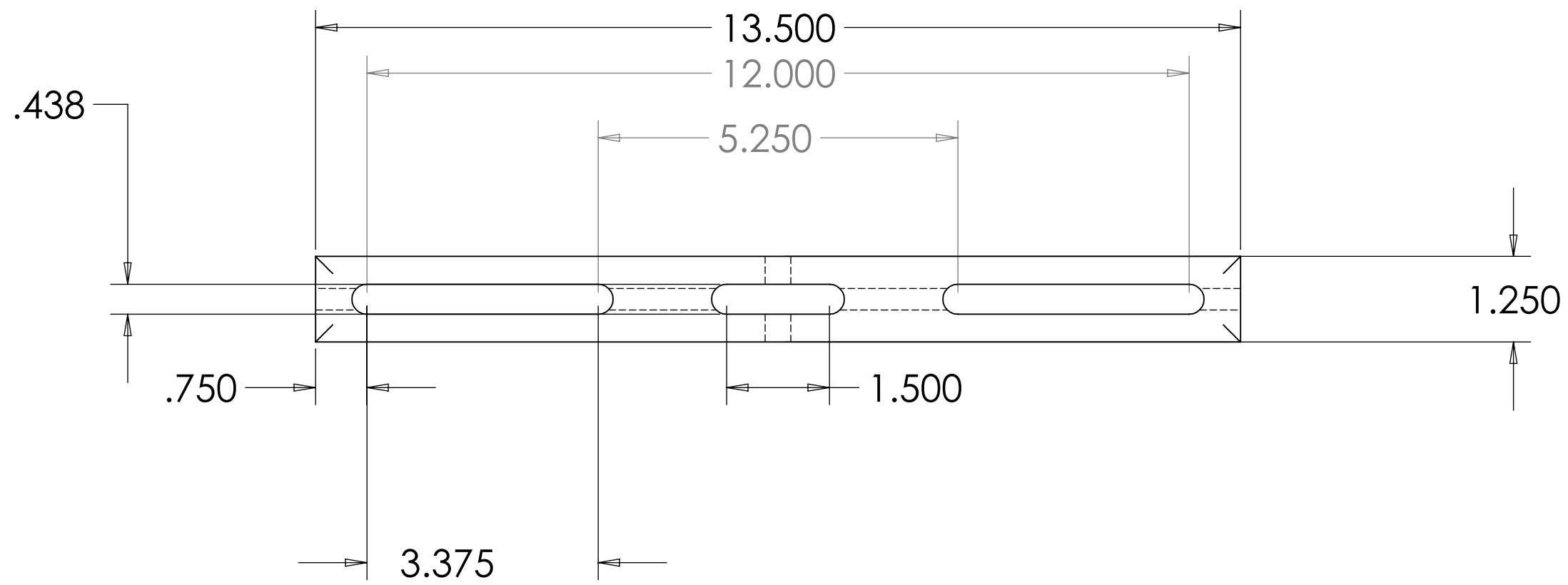
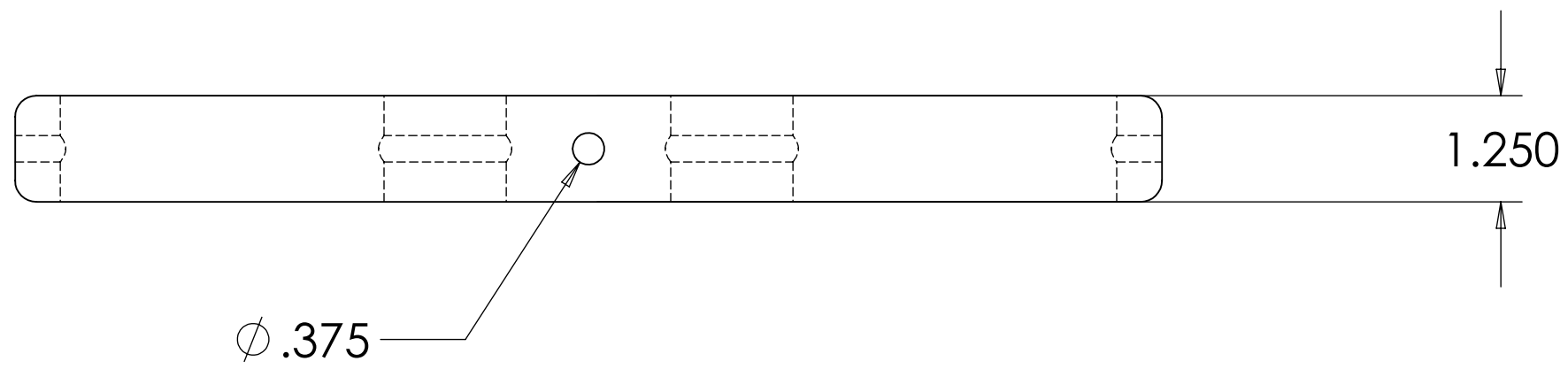
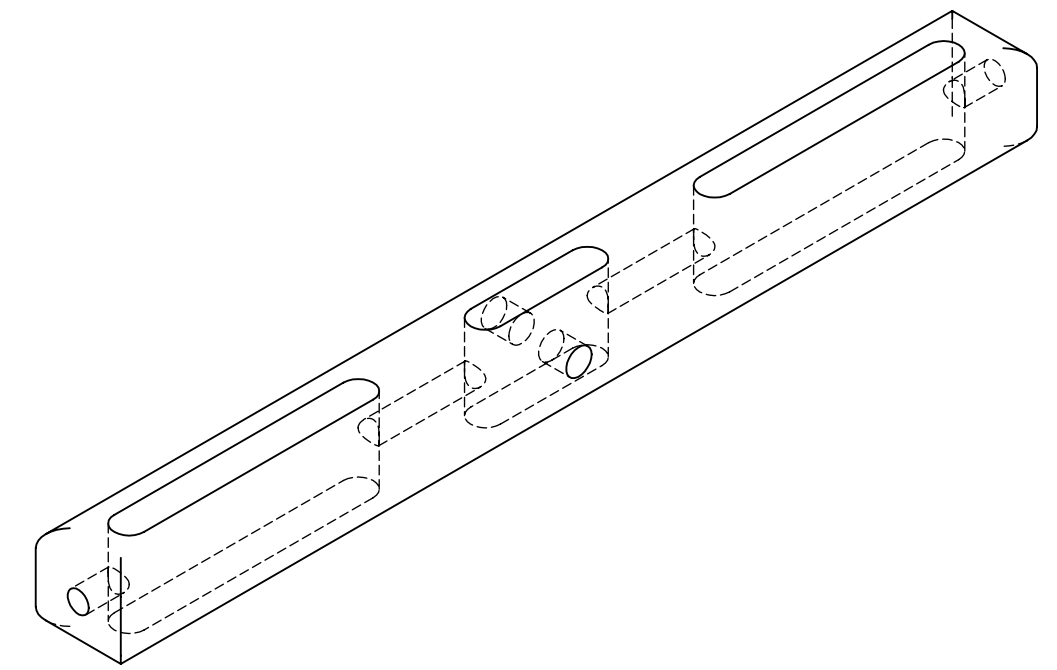


REVISIONS				
ZONE	REV.	DESCRIPTION	DATE	APPROVED
	B	SETUP TO SHOW MIN AND MAX SLOT DIMS	10/23/2009	C.C.



PROPRIETARY AND CONFIDENTIAL
THE INFORMATION CONTAINED IN THIS DRAWING IS THE SOLE PROPERTY OF AZTECH CONVERTING SYSTEMS INC. ANY REPRODUCTION IN PART OR AS A WHOLE WITHOUT THE WRITTEN PERMISSION OF AZTECH MACHINERY INC. IS PROHIBITED.

STOCK SIZE		UNLESS OTHERWISE SPECIFIED:		TITLE:	
1-1/4 X 1-1/4 X 13-9/16		DIMENSIONS ARE IN INCHES TOLERANCES: FRACTIONAL \pm 1/16 ANGULAR: MACH \pm 1 BEND \pm TWO PLACE DECIMAL \pm .01 THREE PLACE DECIMAL \pm .005		DIE LIFT BAR, 13"	
		INTERPRET GEOMETRIC TOLERANCING PER:		DRAWN C.CHURCHILL 7/14/2004	
		MATERIAL		ENG APPR.	
		6061-T6		Q.A.	
NEXT ASSY		USED ON		COMMENTS:	
		FINISH		SIZE DWG. NO.	
		HEAT SHRINK TUBE WRAP		C 13251	
APPLICATION		DO NOT SCALE DRAWING		SCALE: 1:2	
				WEIGHT 1.448	
				SHEET 1 OF 1	
				REV B	

