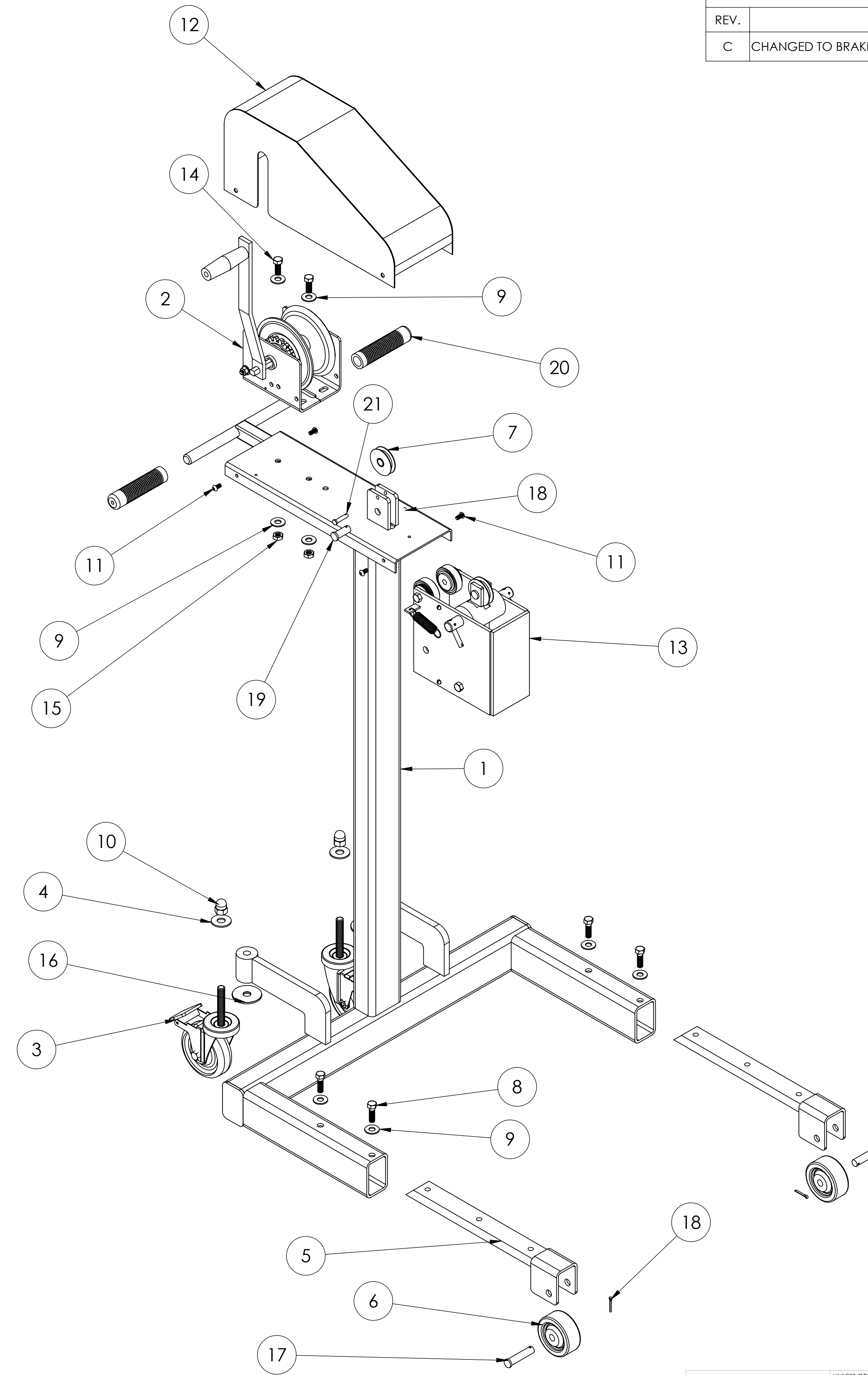


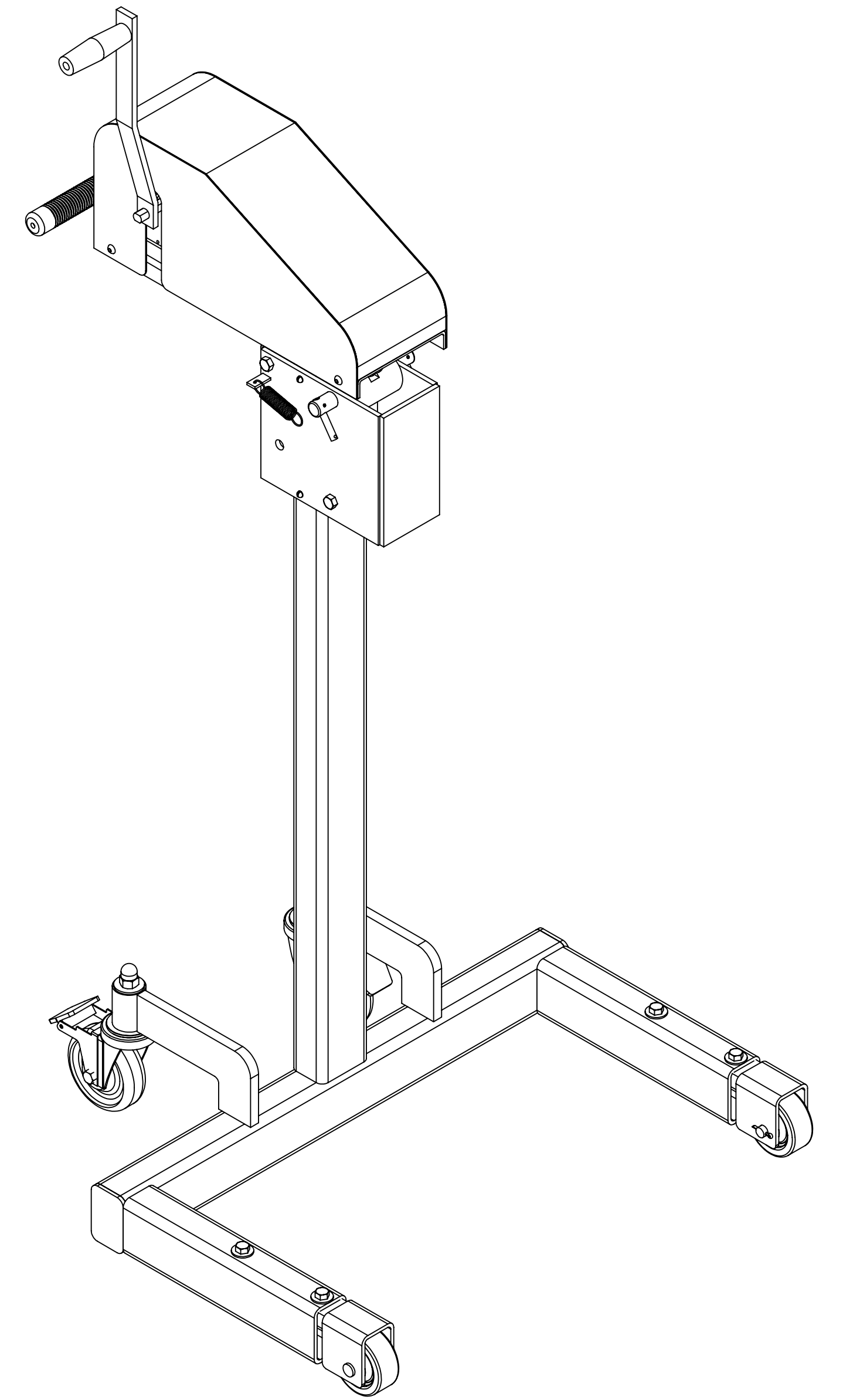
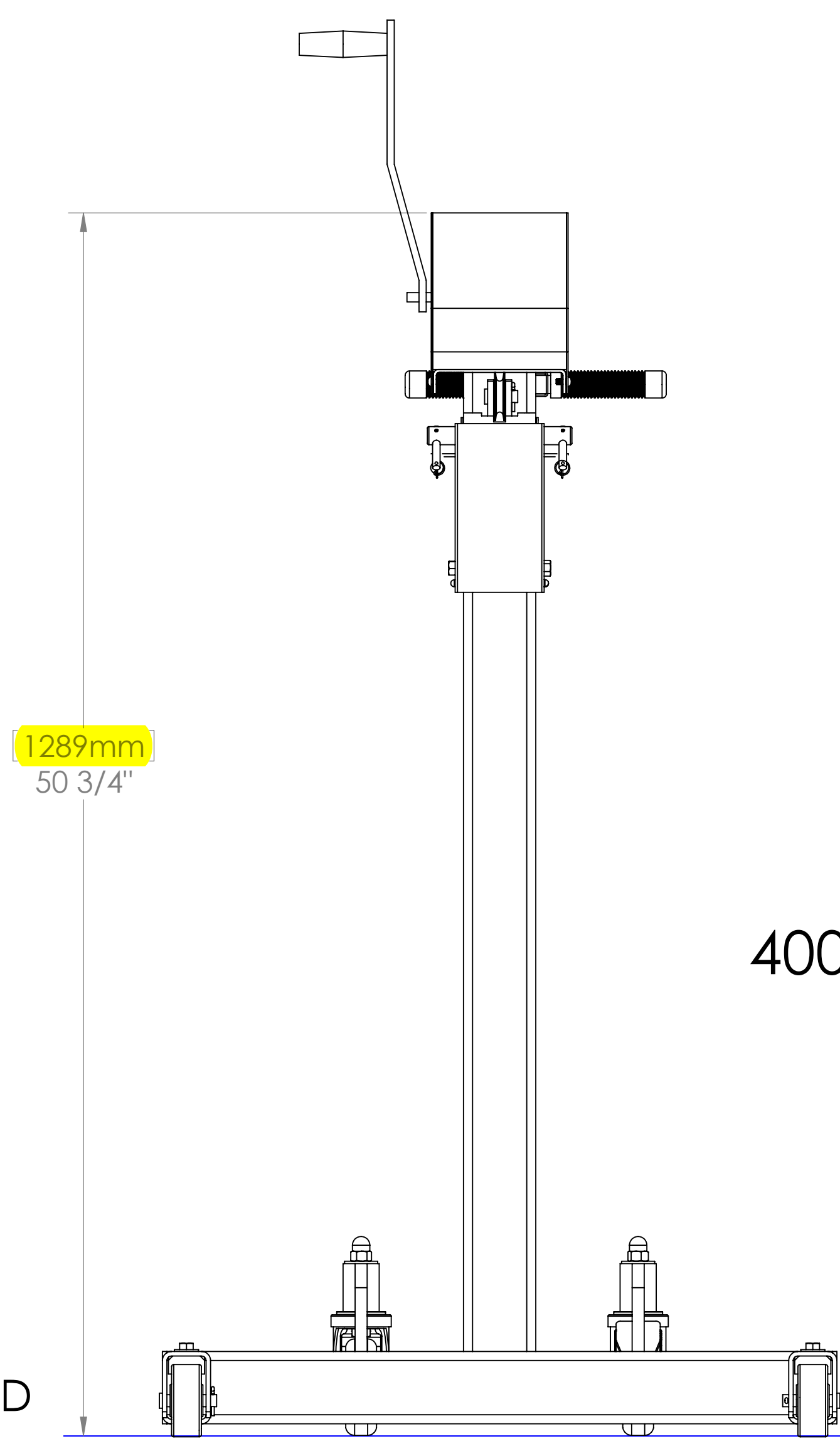
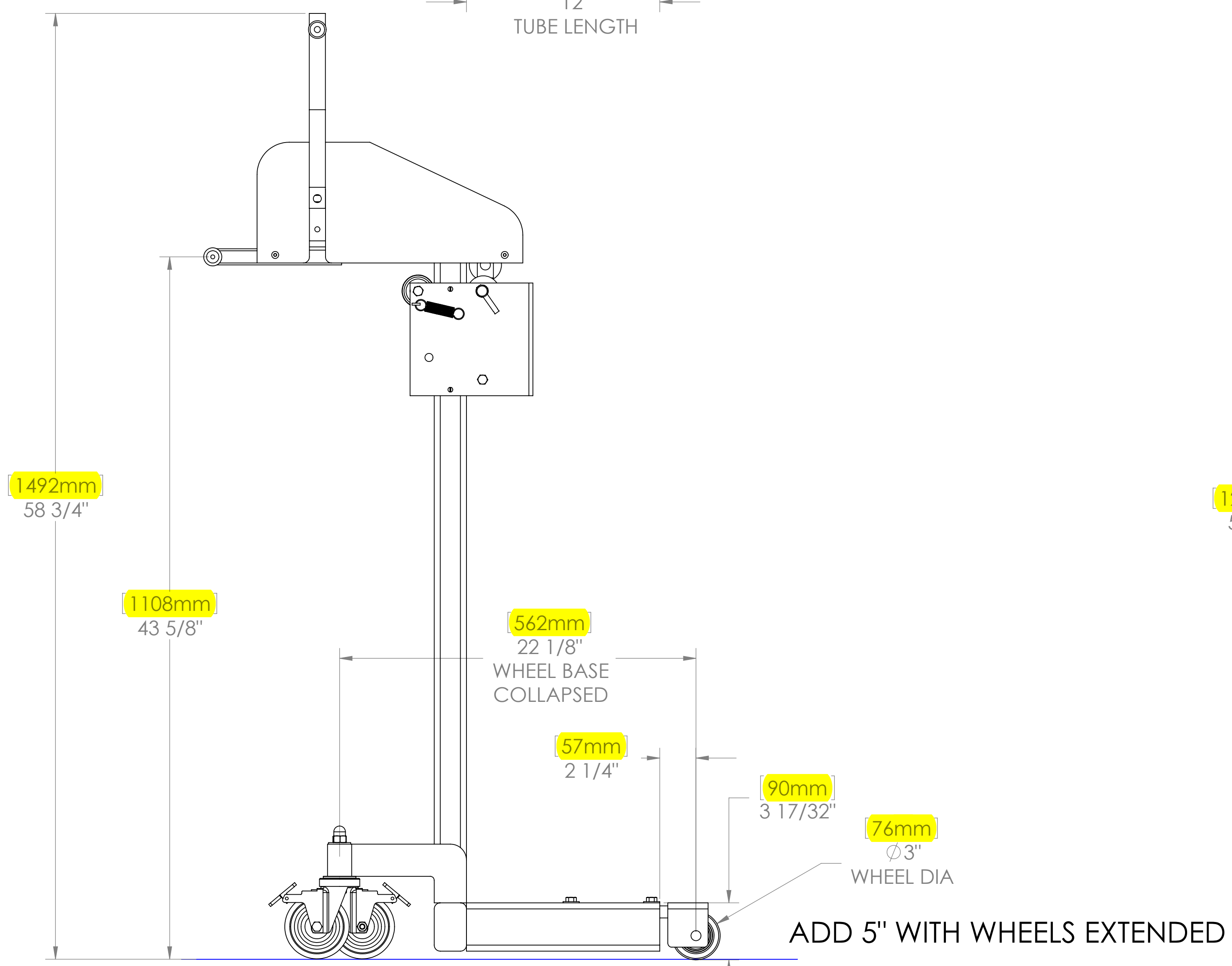
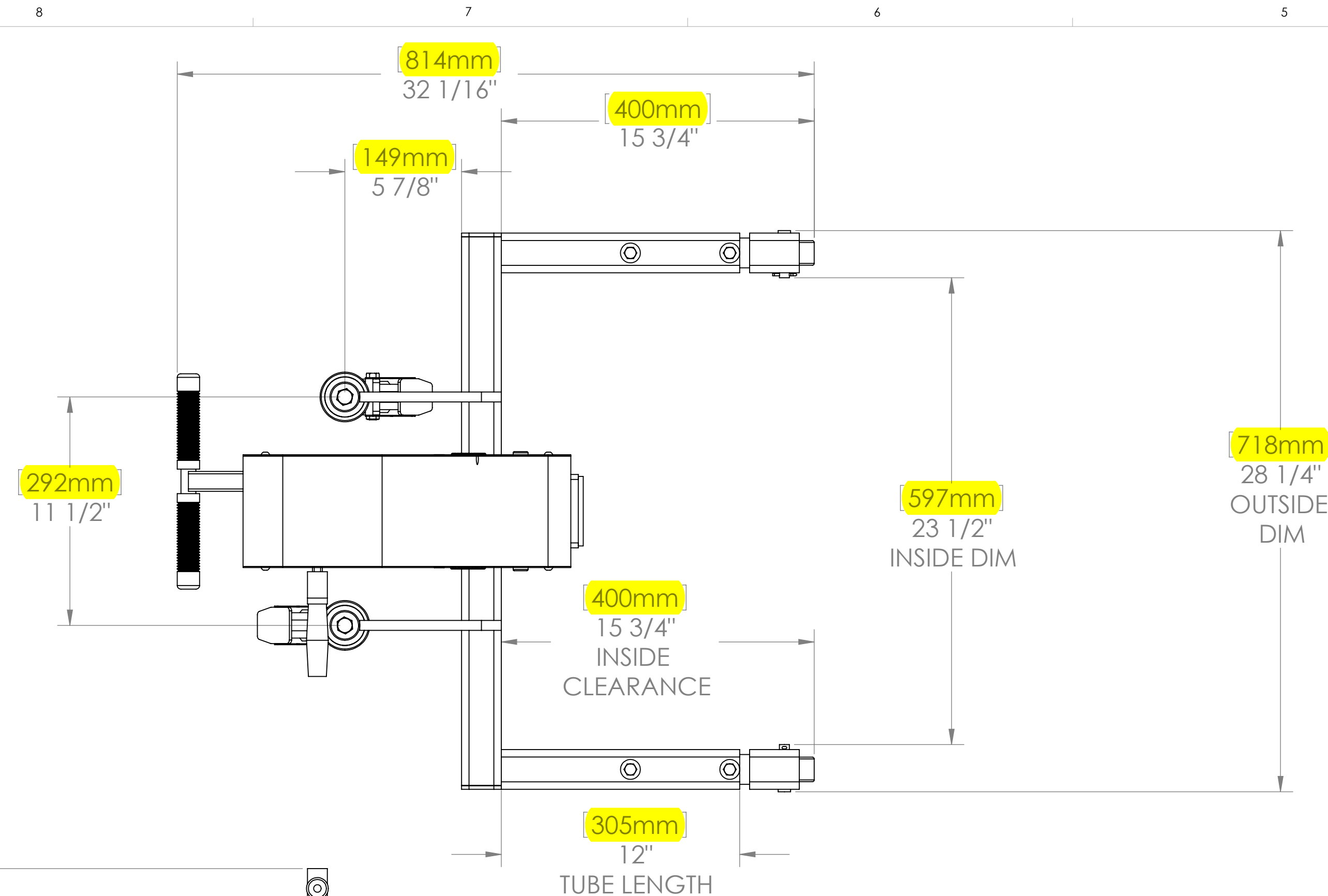
ITEM NO.	PART NUMBER	DESCRIPTION	Default/QTY.
1	13084	MH40A MAIN FRAME WELDMENT	1
2	13068	K650-1491 WINCH MODIFIED	1
3	4in_Caster_Assm	CAS084-894	2
4	FLW_~500		2
5	13095	MH40 LEG WELDMENT	2
6	MH80_wheel	3" DIA WHEEL	2
7	00208	2" O.D. x 1/2" ID PULLEY	1
8	HEX BOLT_~375-16 UNC_1~25_SIMP	HEX BOLT GRADE 5, 3/8-16 X 1-1/4	4
9	FLW_~375		8
10	ACORN HI-UNC_0~5000_SIMP		2
11	BTNHD_~250-20 UNC_0~5_SIMP	BUTTON HEAD CAP SCREW 1/4-20 X 1/2"	4
12	12772	MH40A & MH40B TOP COVER ASSEMBLY	1
13	12151	MH40 TROLLEY BRAKE ASSEMBLY	1
14	HEX BOLT_~375-16 UNC_1_SIMP	HEX BOLT 3/8-16 X 1"	2
15	HEX MS NUT_0~375-16 UNC_SIMP	HEX NUT 3/8-16	2
16	13989	MH40 SWIVEL CASTER SUPPORT WASHER	2
17	18974	Steel Clevis Pin 1/2" Diameter, 2-1/4" Length, 2" Usable Length	2
18	18975	Zinc-Plated Steel Cotter Pin 1/8" Diameter, 1" Length	3
19	18976	Steel Clevis Pin 1/2" Dia, 1-1/4" Length, 1" Usable Length	1
20	18985	RUBBER GRIP, Fits 3/4" OD, 4-13/16" Length	2
21	18986	Steel Clevis Pin 1/4" Diameter, 1-1/8" Length, 15/16" Usable Length	1



REVISIONS			
REV.	DESCRIPTION	DATE	APPROVED
C	CHANGED TO BRAKE TROLLEY AND RAISED MAST HEIGHT	7/23/2010	J.M.

**PROPRIETARY AND CONFIDENTIAL**  
 THE INFORMATION CONTAINED IN THIS DRAWING IS THE SOLE PROPERTY OF AZTECH CONVERTING SYSTEMS, INC. ANY REPRODUCTION IN PART OR AS A WHOLE WITHOUT THE WRITTEN PERMISSION OF AZTECH MACHINERY INC. IS PROHIBITED.

STOCK SIZE	UNLESS OTHERWISE SPECIFIED: DIMENSIONS ARE IN INCHES TOLERANCES: FRACTIONAL ± 1/16 ANGULAR: MACH ± 1° TWO PLACE DECIMAL ± .01 THREE PLACE DECIMAL ± .005	TITLE: Main Assembly, MH40
NUMBER	INTERPRET GEOMETRIC TOLERANCING PER: ASSEMBLY	COMPANY: AZTECH CONVERTING SYSTEMS, INC.
NEXT ASSY	MATERIAL	SIZE DWG. NO. D 13067-B
USED ON	FINISH	REV C
APPLICATION		SCALE: 1:5 SHEET 1 OF 2



400# LIFT CAPACITY

PROPRIETARY AND CONFIDENTIAL  
 THE INFORMATION CONTAINED IN THIS DRAWING IS THE SOLE PROPERTY OF AZTECH CONVERTING SYSTEMS, INC. ANY REPRODUCTION IN PART OR AS A WHOLE WITHOUT THE WRITTEN PERMISSION OF AZTECH MACHINERY INC. IS PROHIBITED.

STOCK SIZE	UNLESS OTHERWISE SPECIFIED:	TITLE:	Main Assembly, MH40	
NUMBER	DIMENSIONS ARE IN INCHES TOLERANCES: FRACTIONAL ± 1/16 ANGULAR: MACH ± 1 TWO PLACE DECIMAL ± .01 THREE PLACE DECIMAL ± .005	NAME	DATE	COMPANY
NEXT ASSY	INTERPRET GEOMETRIC TOLERANCING PER:	C. CHURCHILL	11/15/2001	AZTECH CONVERTING SYSTEMS, INC.
USED ON	MATERIAL	ENG APPR.		SIZE DWG. NO.
APPLICATION	ASSEMBLY	COMMENTS:		<b>D</b> 13067-B <b>C</b>
				SCALE: 1:5 SHEET 2 OF 2