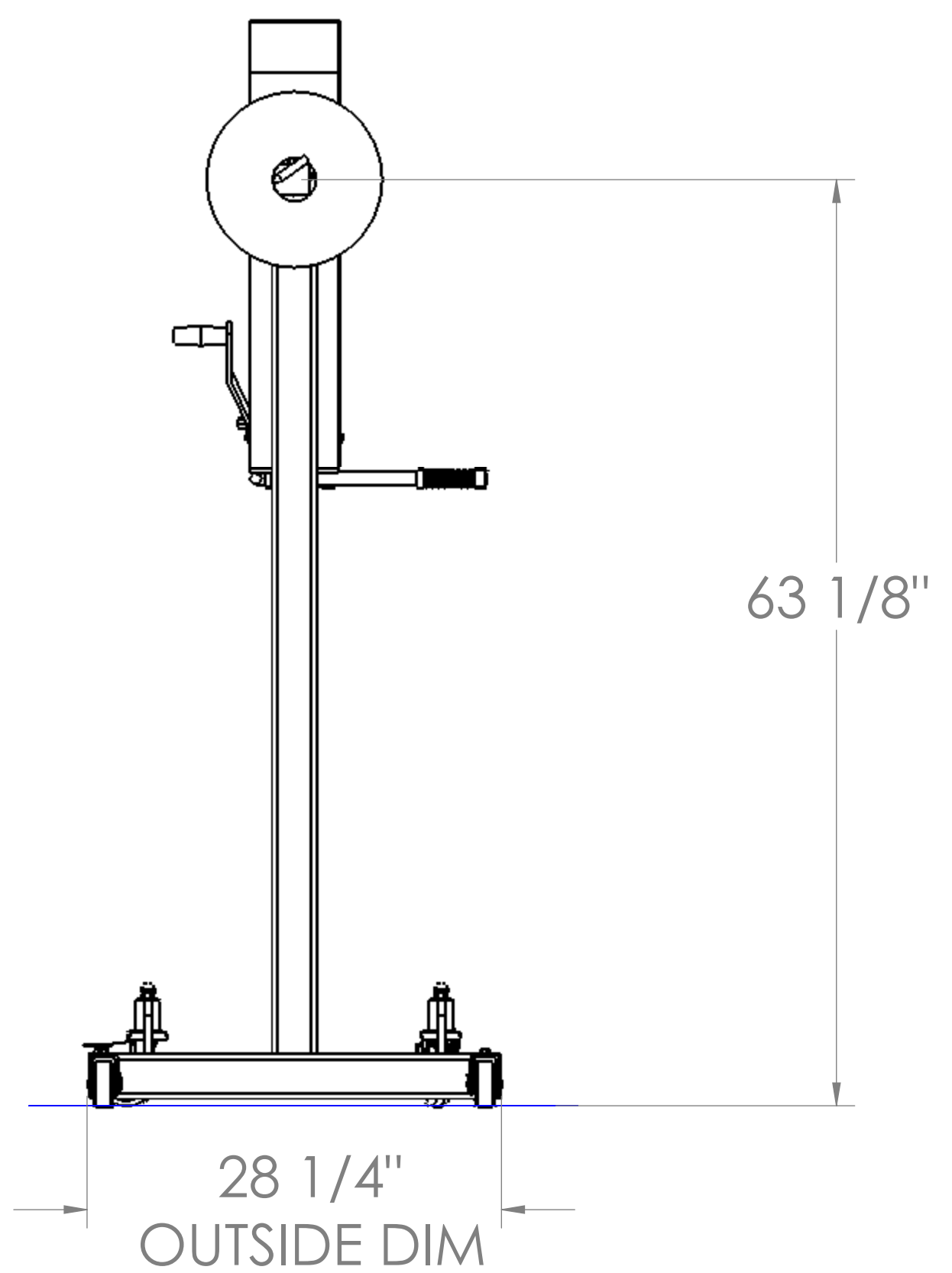
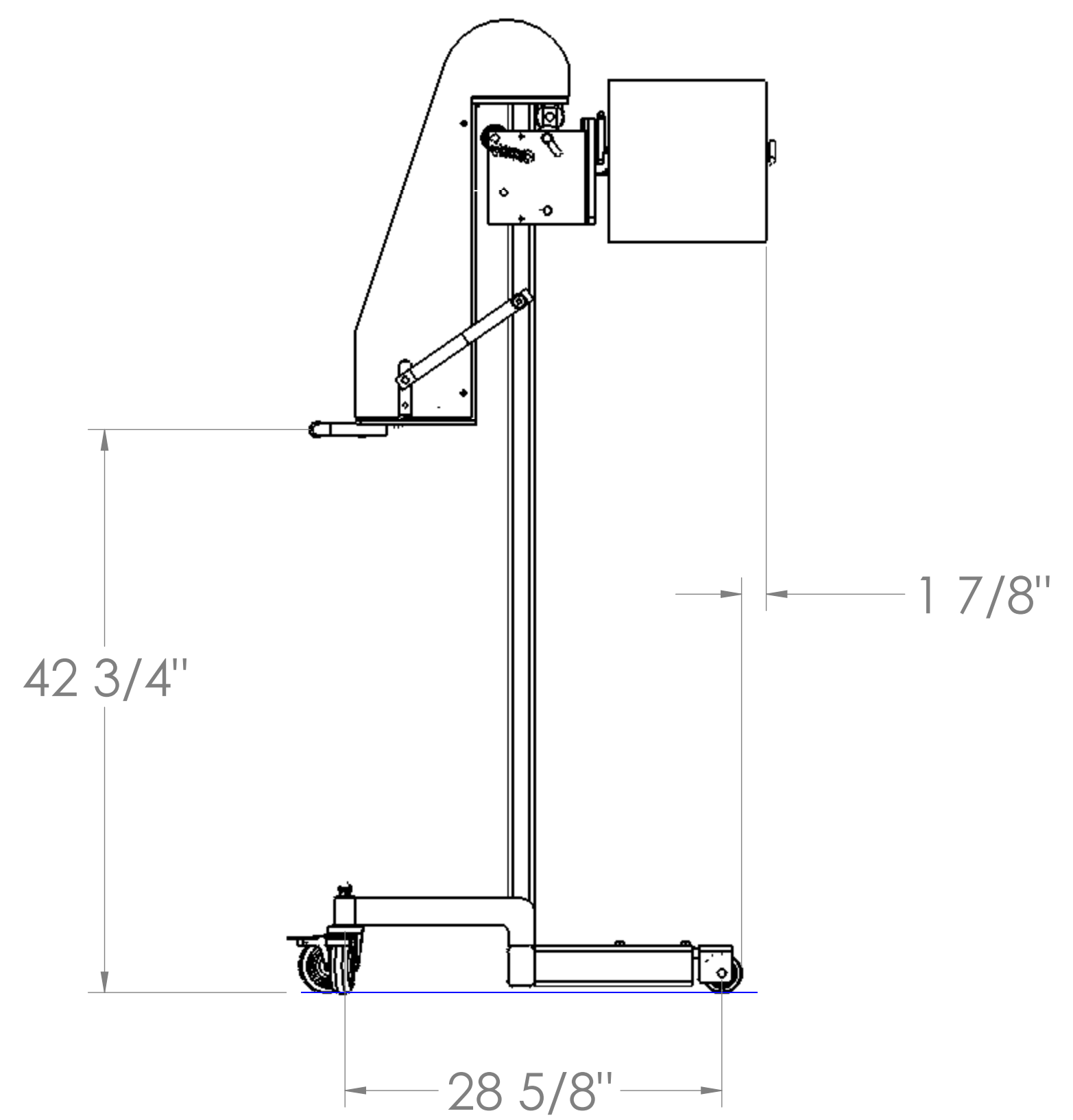
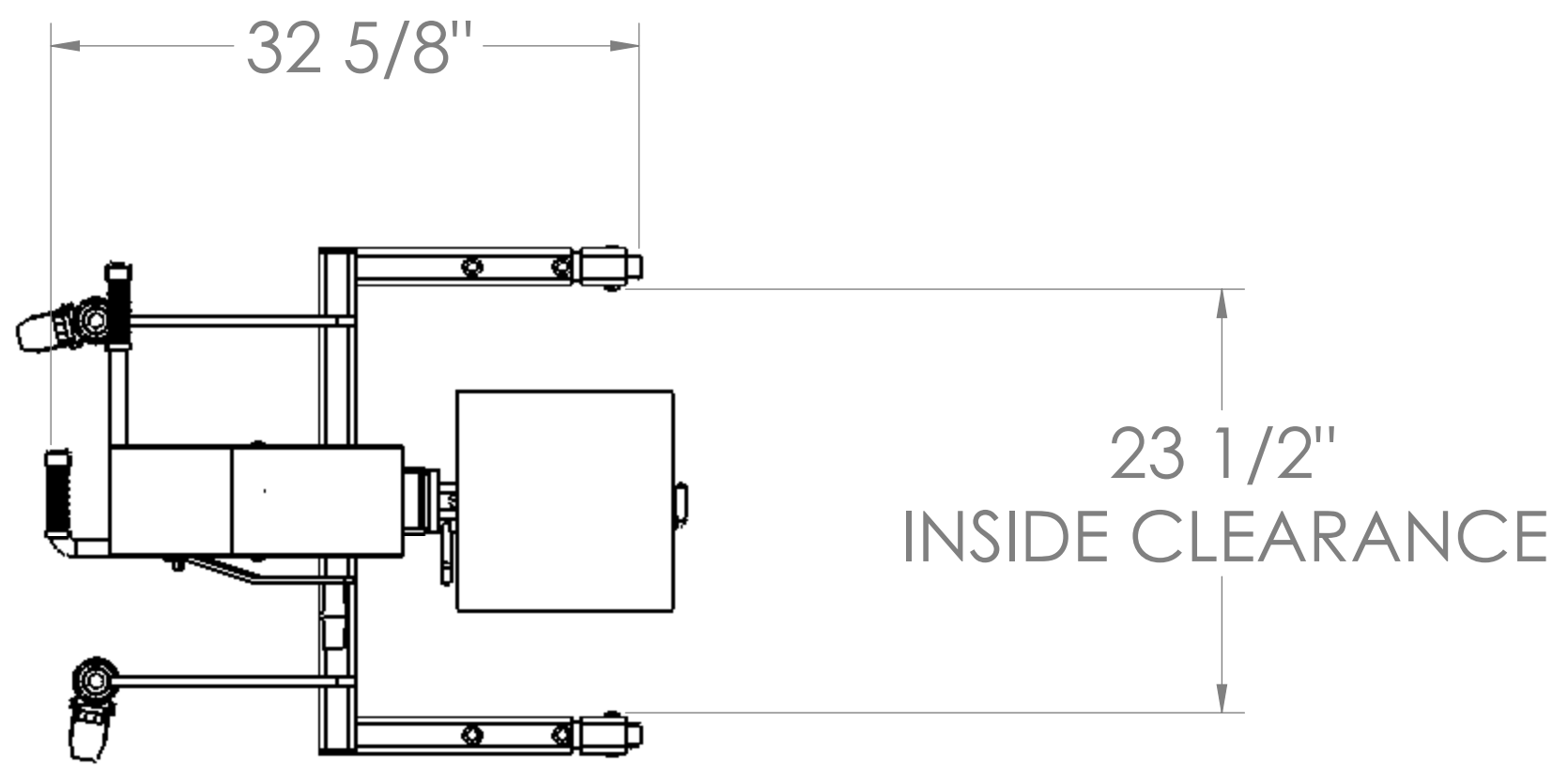


REVISIONS				
ZONE	REV.	DESCRIPTION	DATE	APPROVED
-	-	See Sheet1	-	-



PROPRIETARY AND CONFIDENTIAL
 THE INFORMATION CONTAINED IN THIS DRAWING IS THE SOLE PROPERTY OF AZTECH MACHINERY INC. ANY REPRODUCTION IN PART OR AS A WHOLE WITHOUT THE WRITTEN PERMISSION OF AZTECH MACHINERY INC. IS PROHIBITED.

STOCK SIZE		UNLESS OTHERWISE SPECIFIED:		TITLE:	
		DIMENSIONS ARE IN INCHES		MH40C MAIN ASSEMBLY	
		TOLERANCES:		DRAWN C.CHURCHILL 4/26/2004	
		FRACTIONAL ±		NAME DATE COMPANY	
		ANGULAR: MACH ± BEND ±		AZTECH MACHINERY, INC.	
		TWO PLACE DECIMAL ±		ENG APPR.	
		THREE PLACE DECIMAL ±		Q.A.	
NEXT ASSY		USED ON		COMMENTS:	
APPLICATION		DO NOT SCALE DRAWING		SIZE DWG. NO. REV	
				C 13073 C	
				SCALE: 1:10 WEIGHT SHEET 2 OF 2	