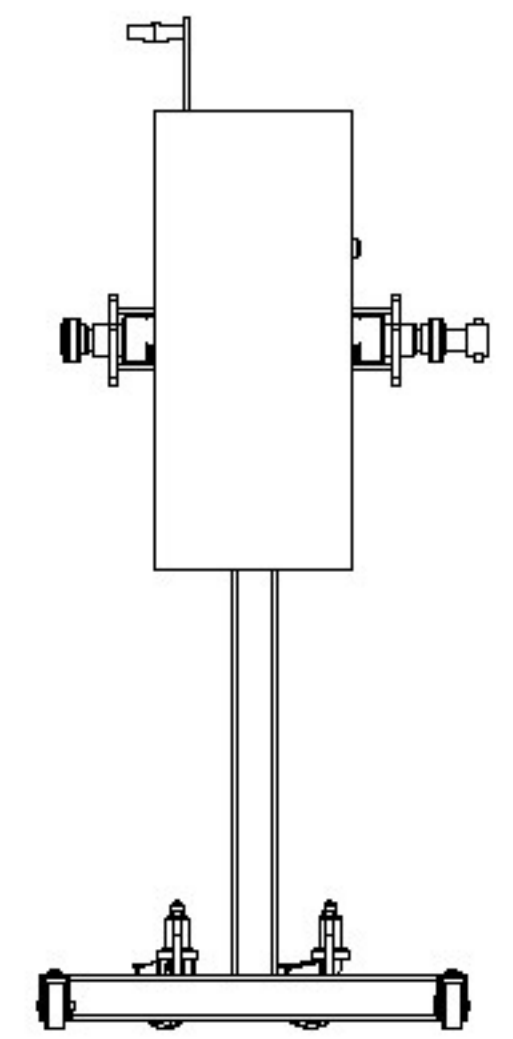
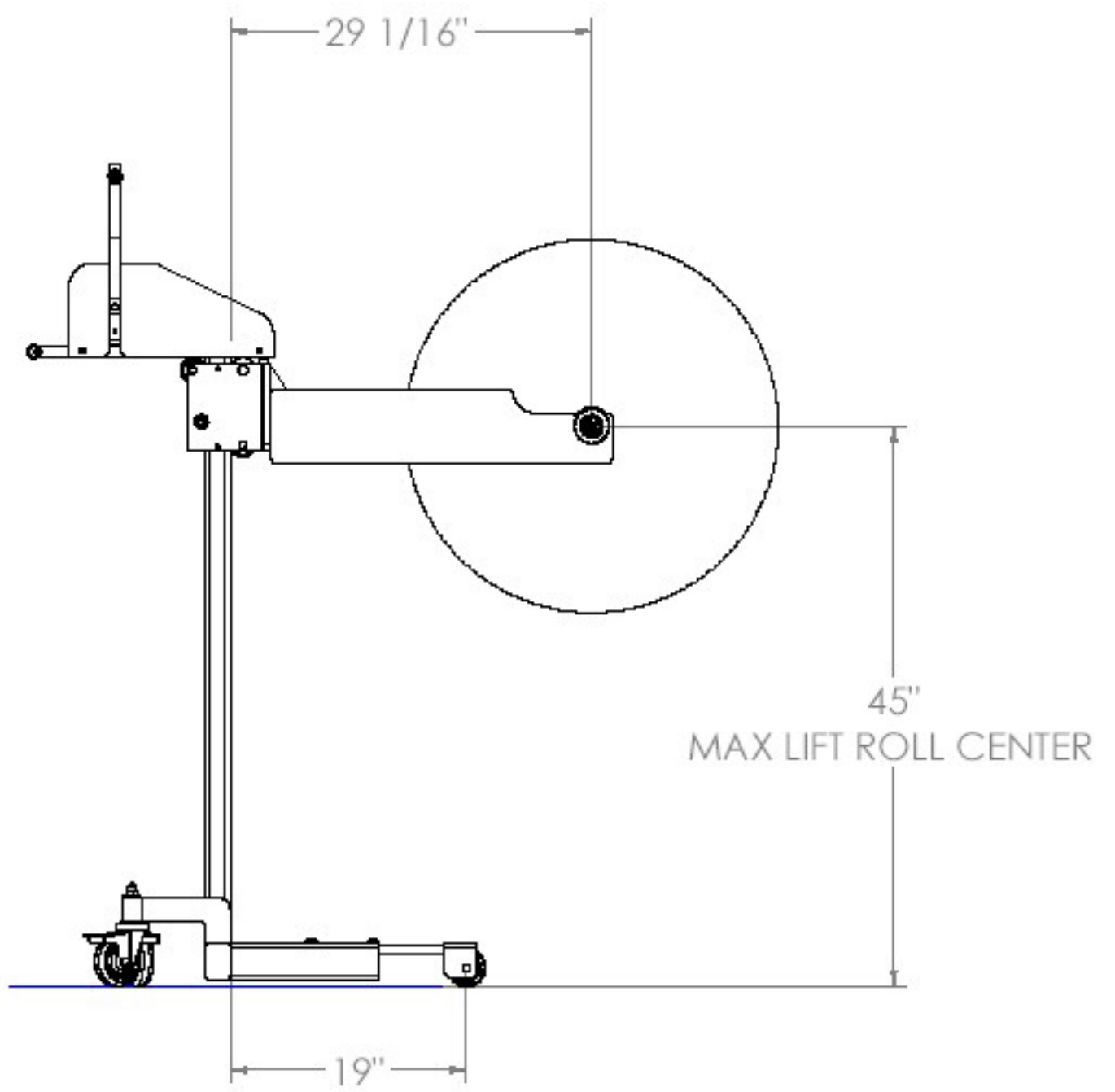
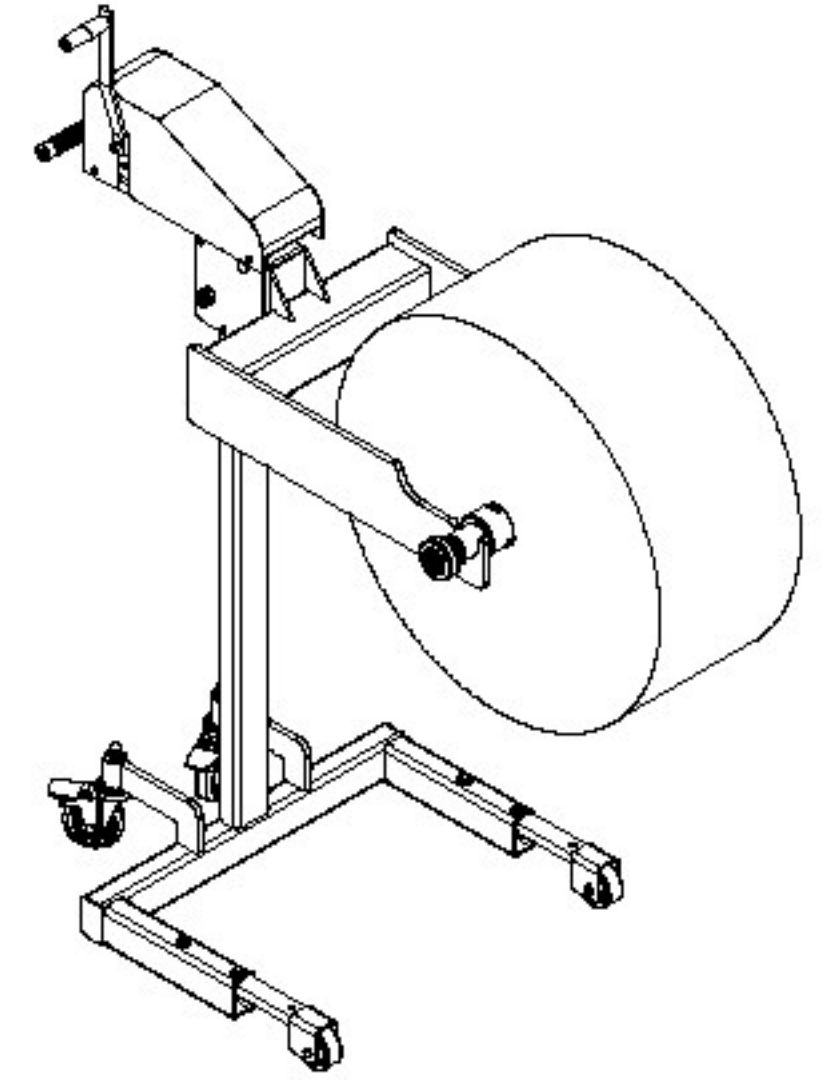
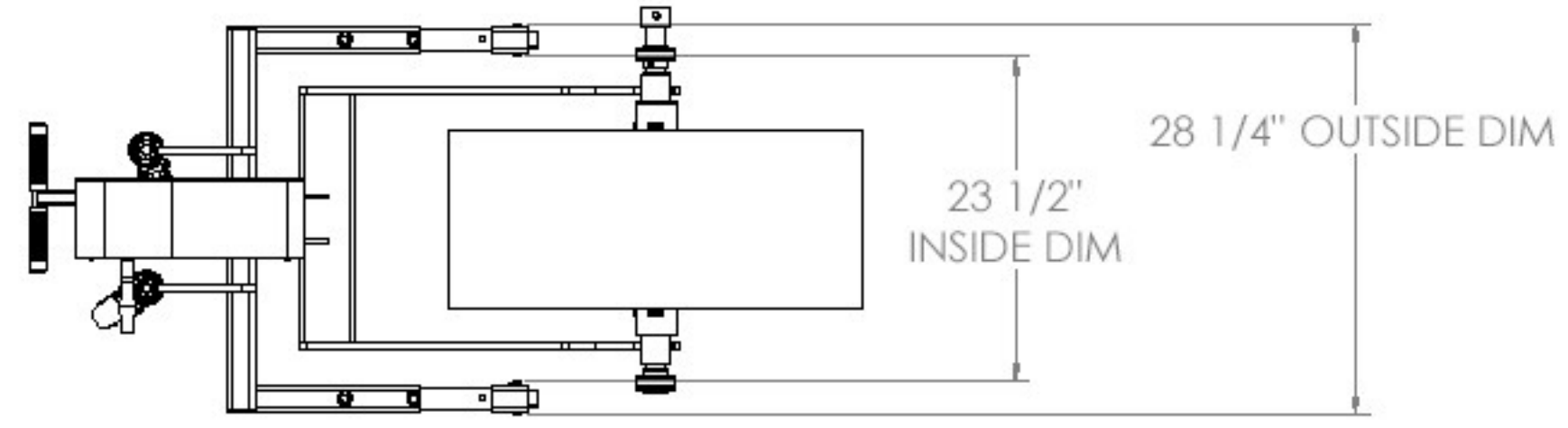


DATE	BY	DESCRIPTION	DATE	APPROVED
	B	MADE WINCH-CUSING AREA W/DR	9/7/2021	C.C.
	C			C.C.
	D			C.C.



FRONT WHEEL NEED TO GO OUT 10 MORE INCHES

300 LBS WITH EXTENDED LEGS TO 29"

PROPRIETARY AND CONFIDENTIAL
 THE INFORMATION CONTAINED HEREIN IS THE SOLE PROPERTY OF AZTECH MACHINERY, INC. ANY REPRODUCTION OR DISSEMINATION WITHOUT THE WRITTEN PERMISSION OF AZTECH MACHINERY, INC. IS PROHIBITED.

ITEM NO.	QUANTITY	DESCRIPTION	UNIT
		ASSEMBLY	

DATE	BY	DESCRIPTION	DATE	APPROVED

PROJECT AND COMPANY PROJECT: 13394TWO POINT LIFT COMPANY: AZTECH MACHINERY, INC.	
SCALE: 1:1 SHEET: 1 OF 1	REV: D 13394TWO POINT LIFT